



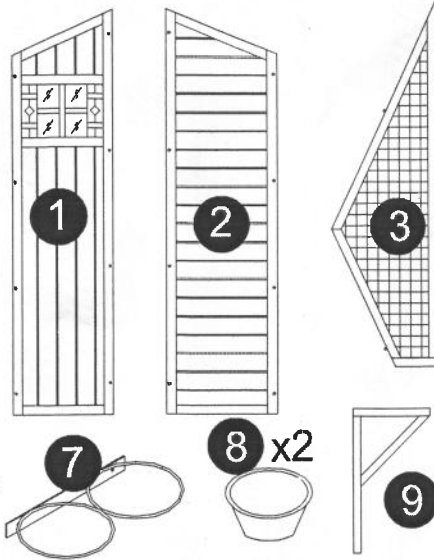
DSP
International

ASSEMBLY INSTRUCTION

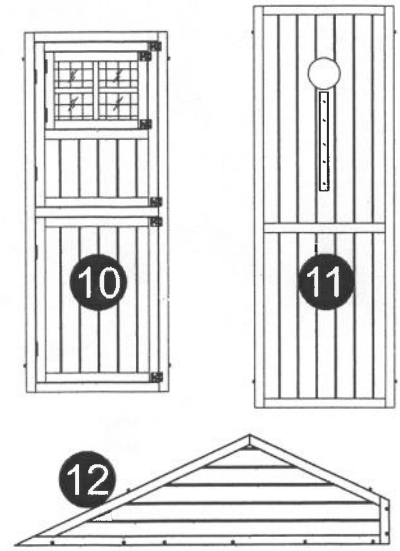
Voliere Amalia

- A** 3.5x60=14x
- B** 3.5x50=24x
- C** 3.5x40=28x
- D** 3.5x35=6x
- E** 3.5x25=4x
- F** 3.0x16=2x
- G** =1x

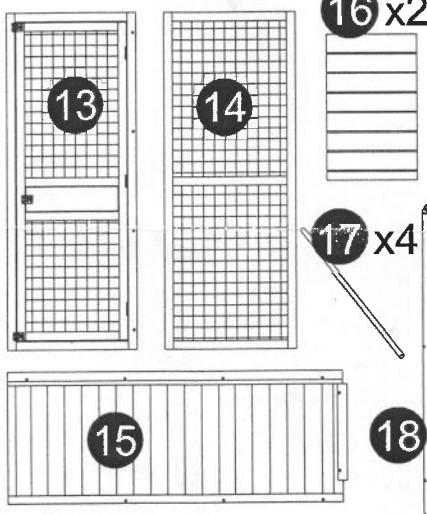
contents box 1



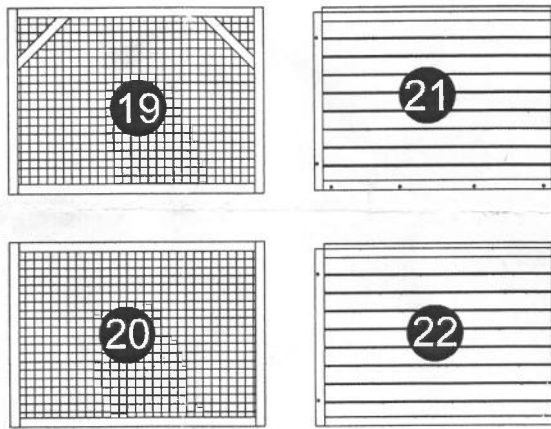
contents box 2



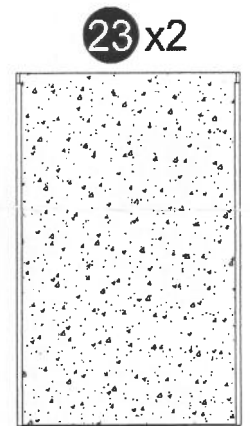
contents box 3



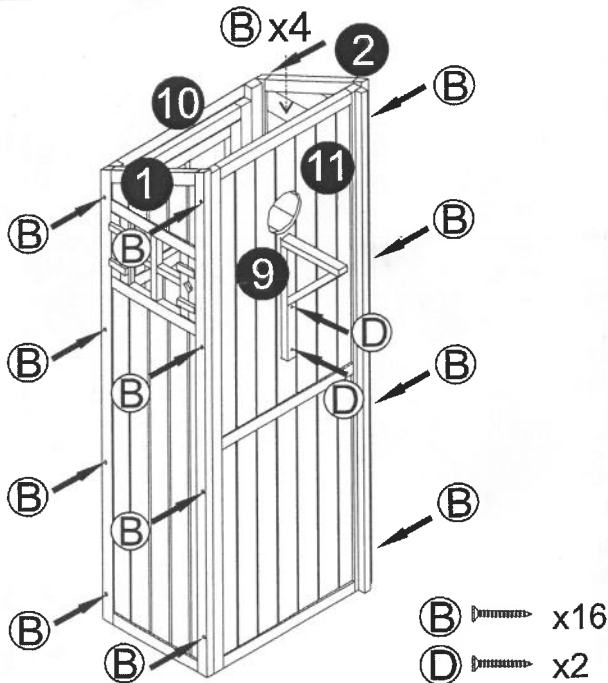
contents box 4



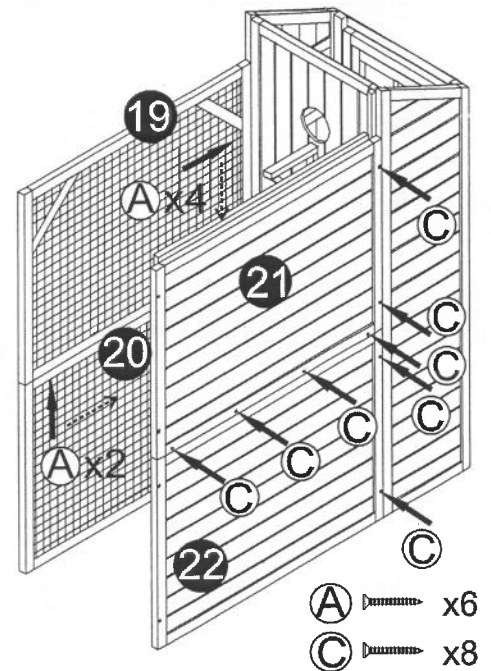
contents box 5



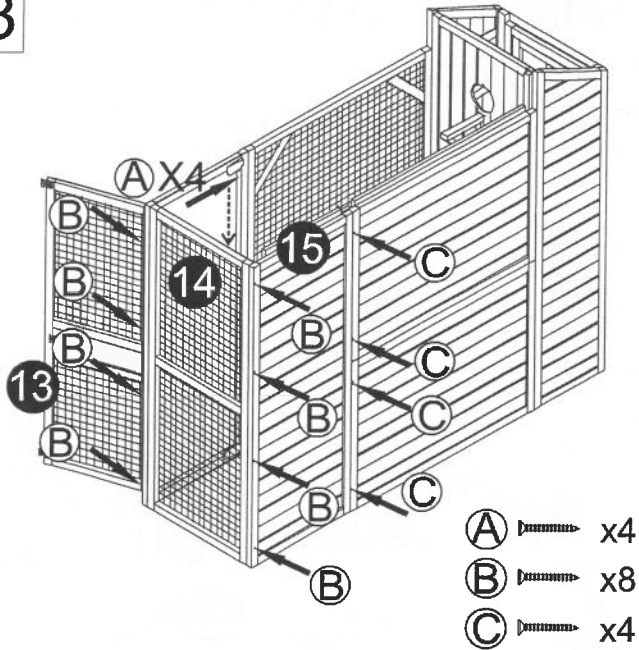
1



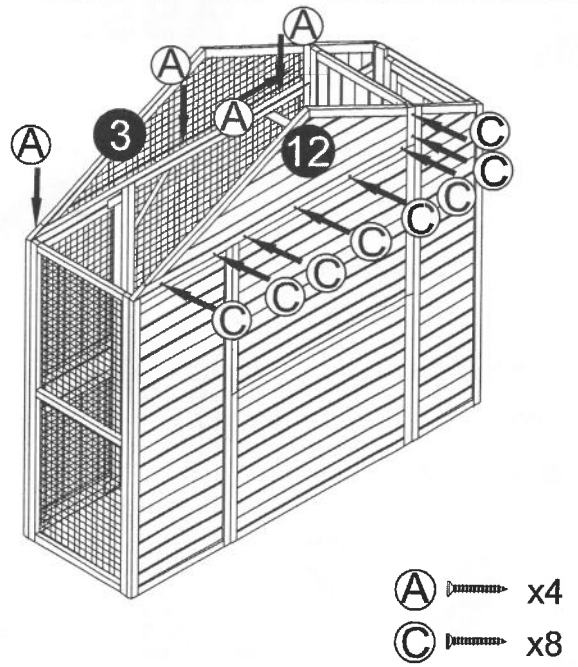
2



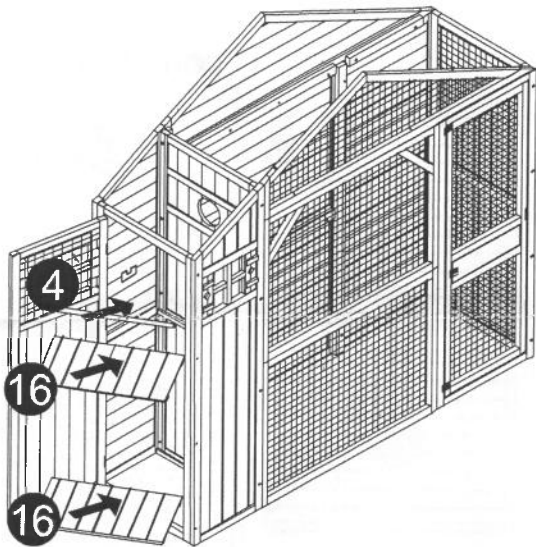
3



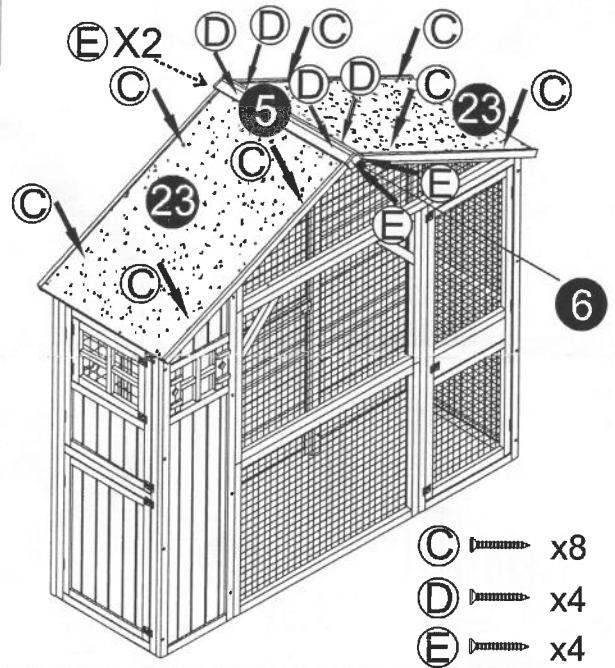
4



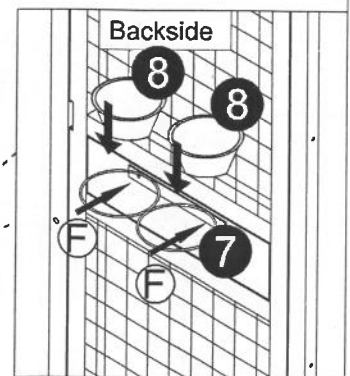
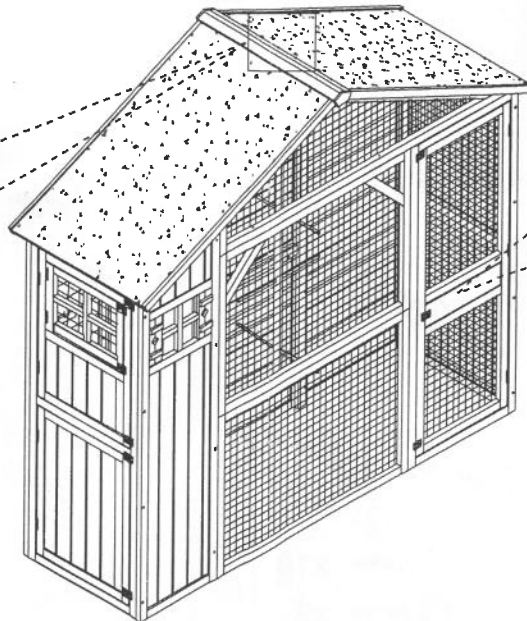
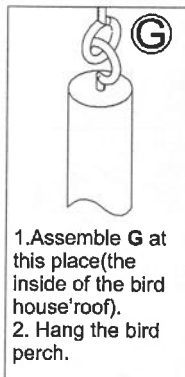
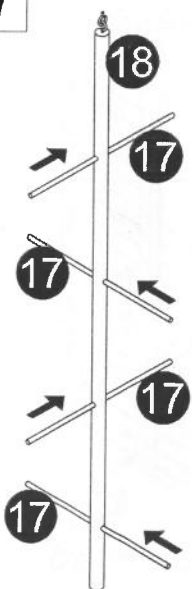
5



6



7



(F) x2
 (G) x1