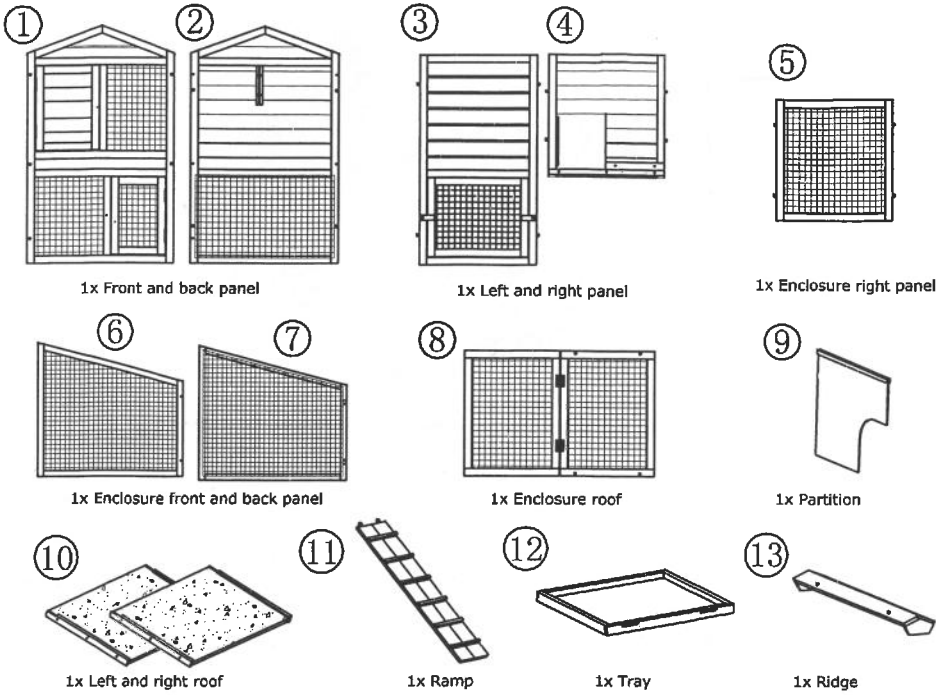
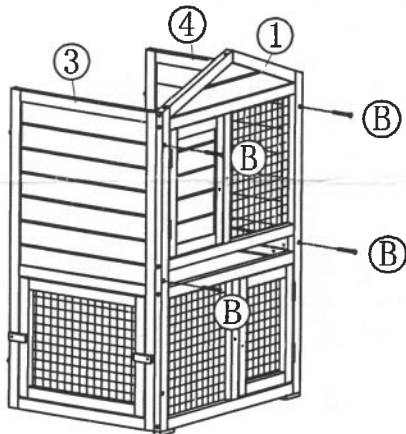


# Dierenverblijf Cato Assembly Instructions

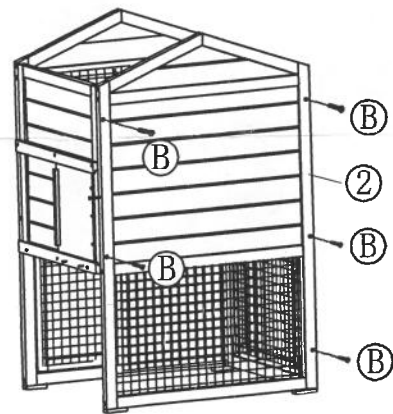
dsp international b. v.



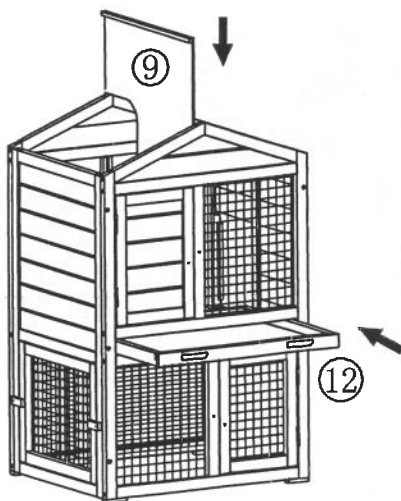
(A)		M3. 5X50 4+1
(B)		M3. 5X40 18+1
(C)		M3. 5X30 8+1
(D)		M3. 5X25 4+1
(E)		M3. 0X25 4+1
		X2
		X2
		X2



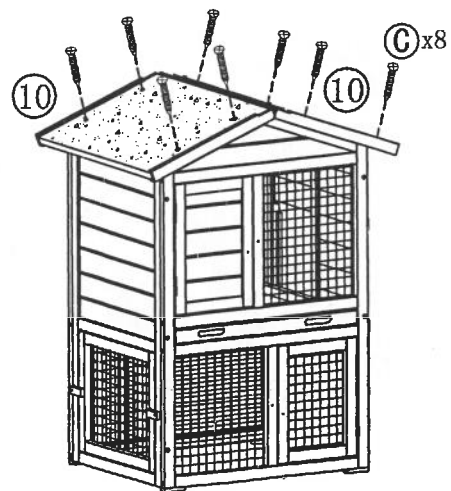
1. Fix the front panel with left & right side panel.



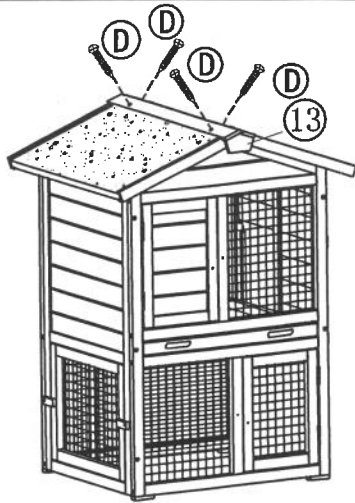
2. Fix the back panel with two side panels.



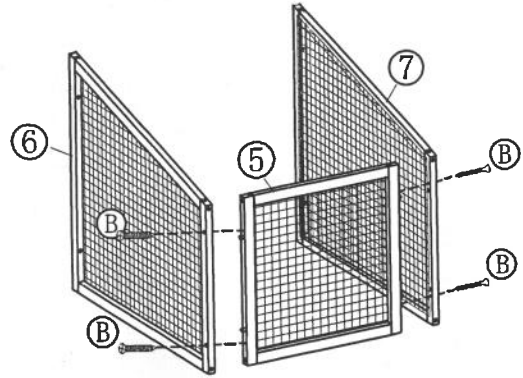
3. Insert the partition & the tray.



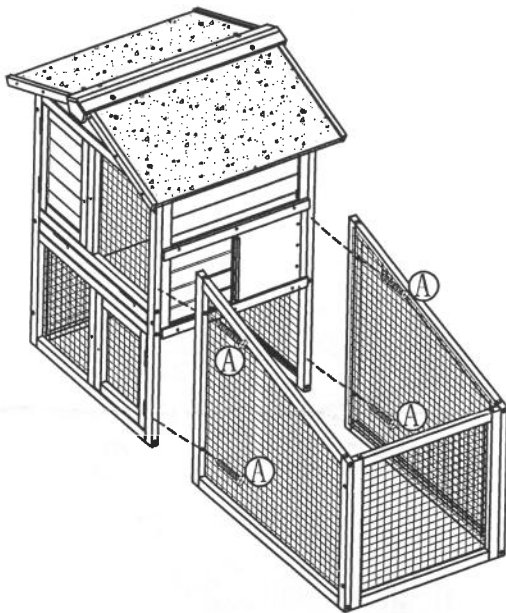
4. Fix the roofs.



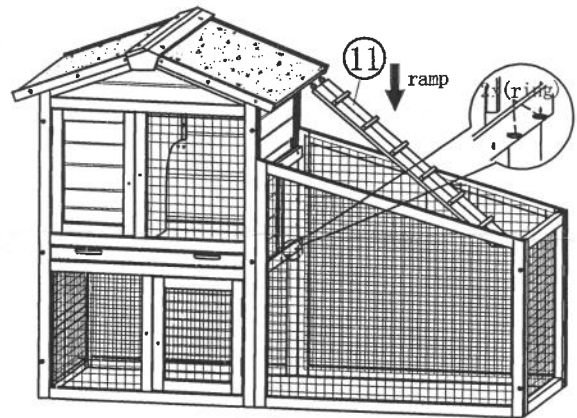
5. Fix the ridge.



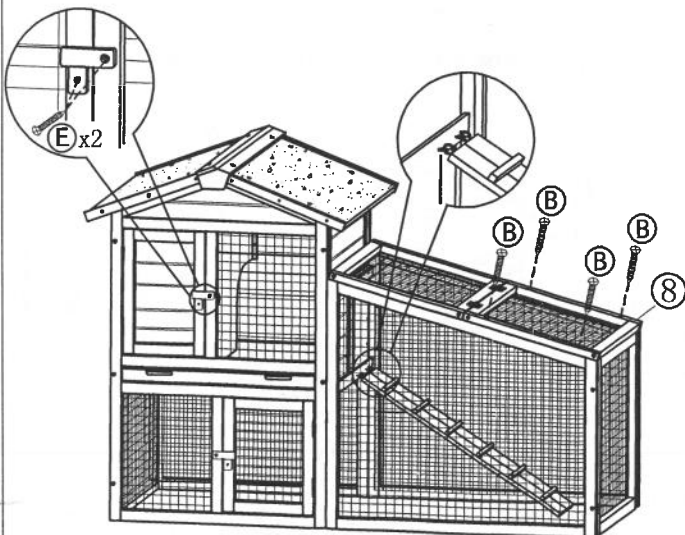
6. Fix the enclosure side panel with front & back panel.



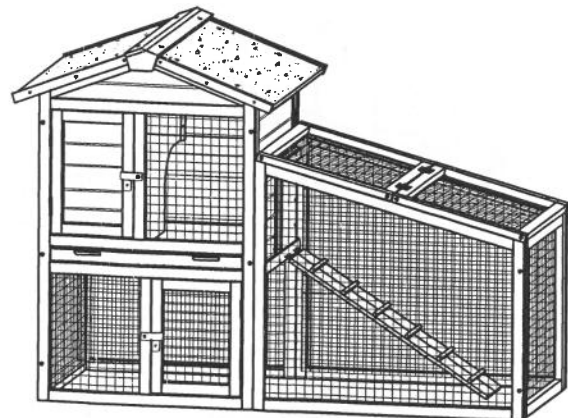
7. Connect the enclosure part with the main body.



8. Insert the rings and fix the ramp.



9. Fix the enclosure roof and the door latch.



10. Finish.