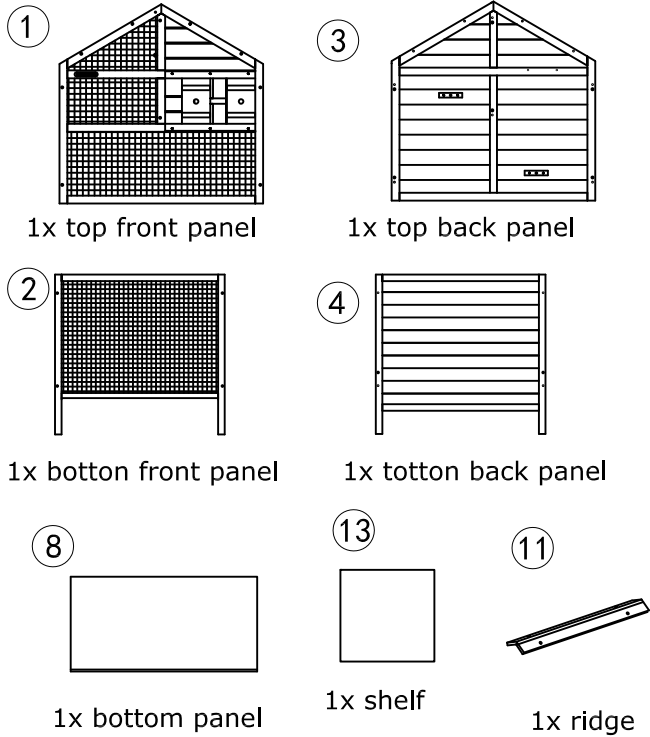


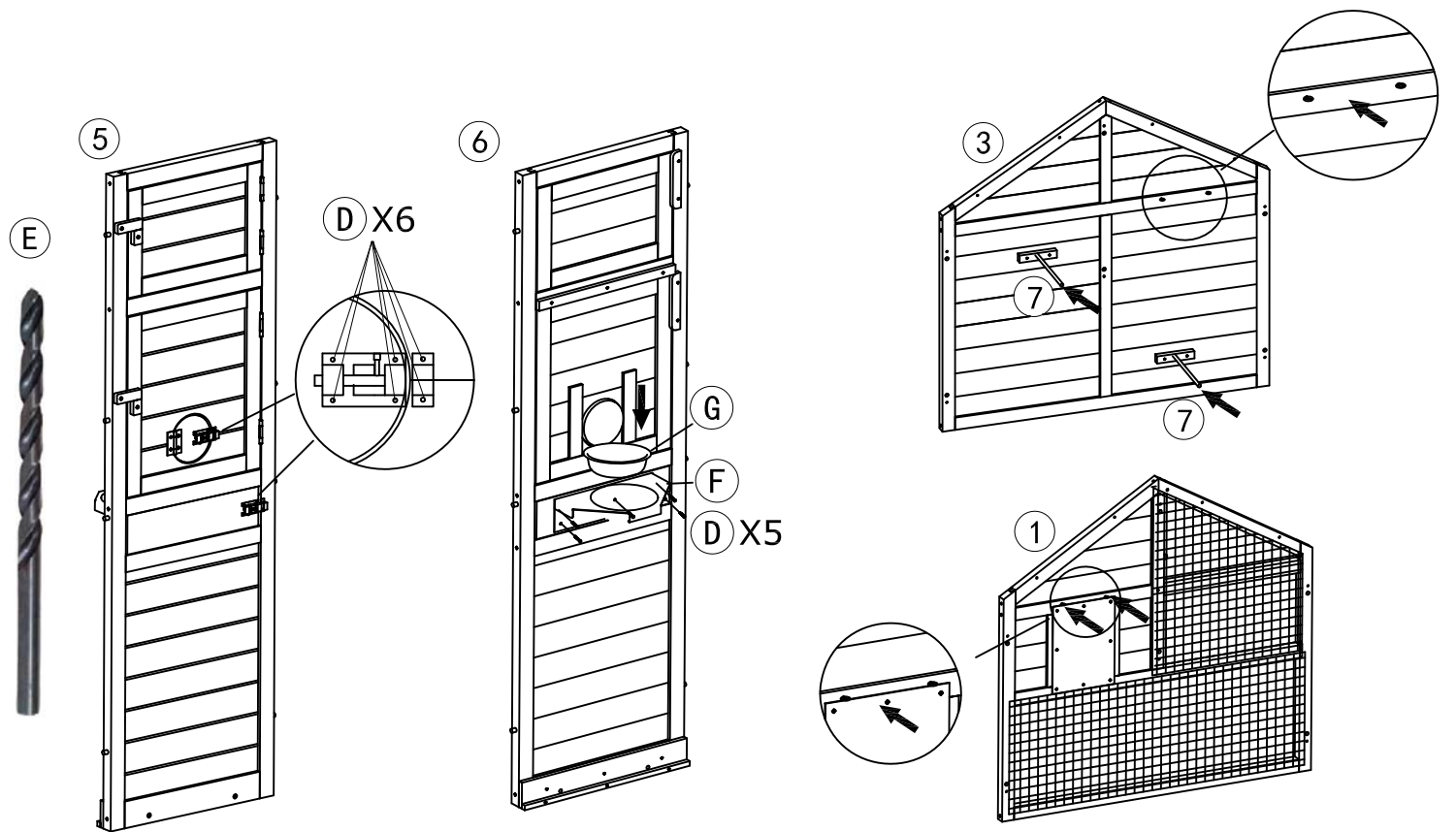
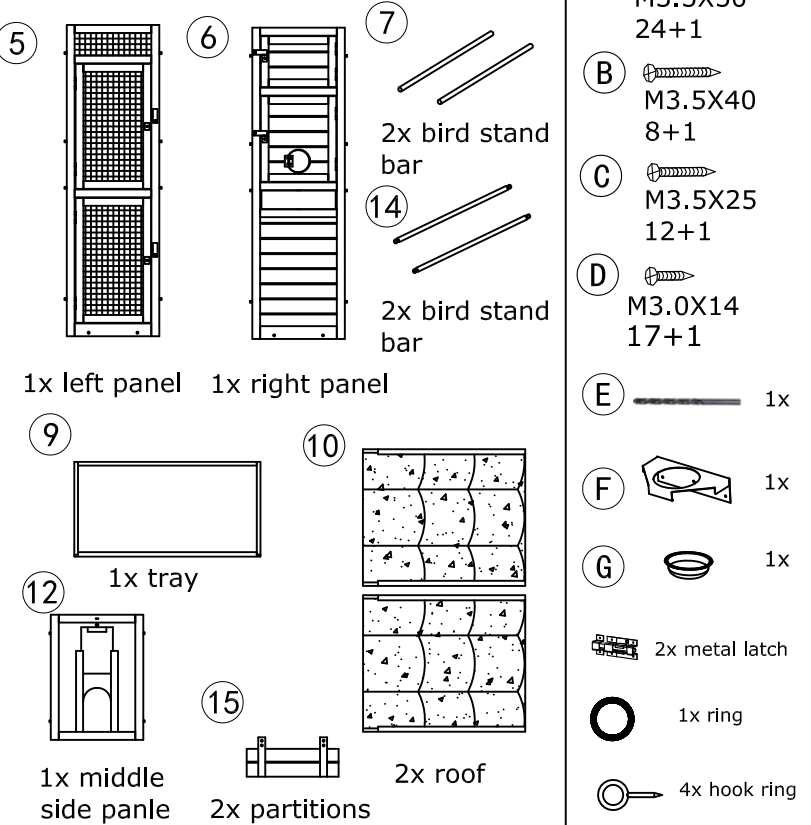
Voliere Sara Medium Assembly Instructions

dsp international b.v.

contents box 1:

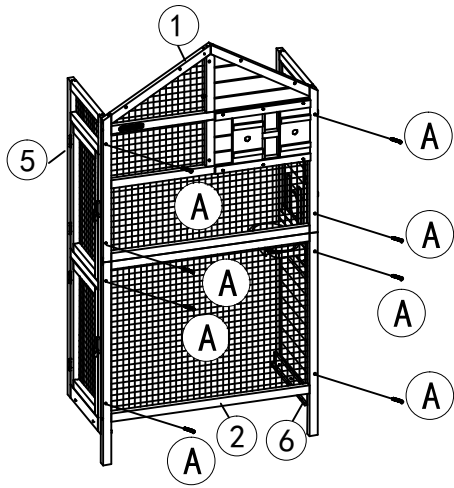


contents box 2:

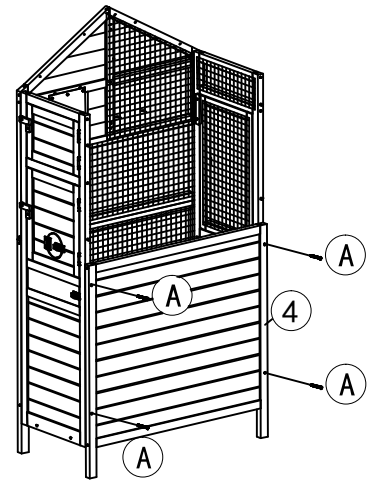


1. Fix the metal latch.

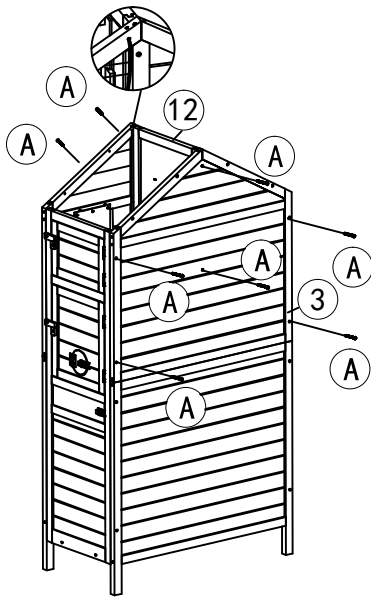
2. Fix the bird stand bar on top back panel and the hook ring in the top back panel and the top front panel.



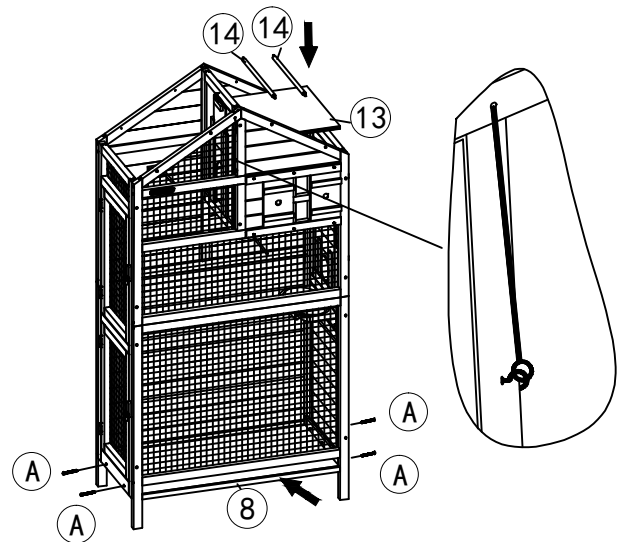
3. Fix the front panel with two side panels.



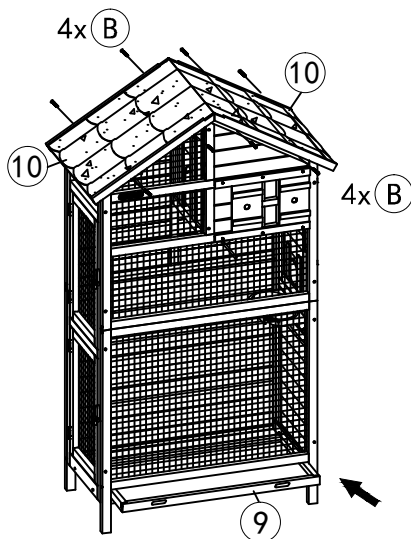
4. Fix the back panel with two side panels.



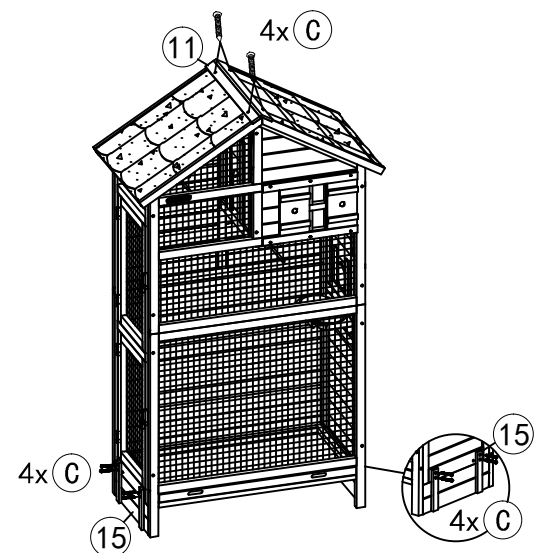
4. Fix the middle side panel and the top back panel .



5. Fix the bottom panel and the shelf, and then fix the ring on the line and bar stand bar.



7. Fix the roofs from front and back, and fix the tray.



8. Fix the ridge and the partitions.