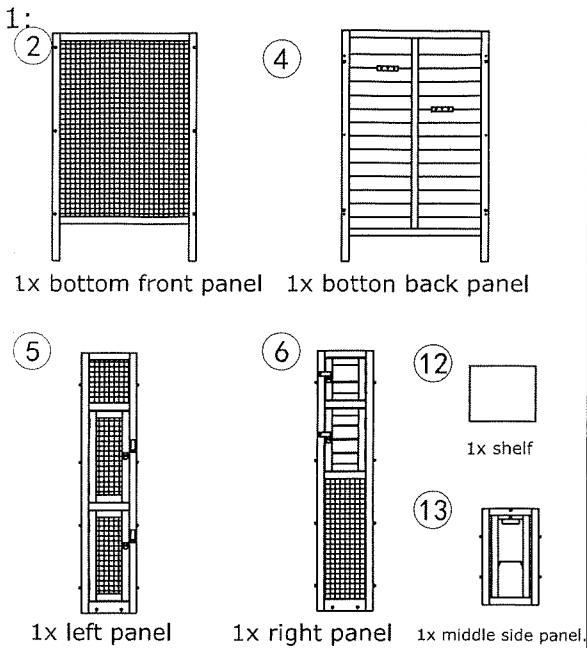


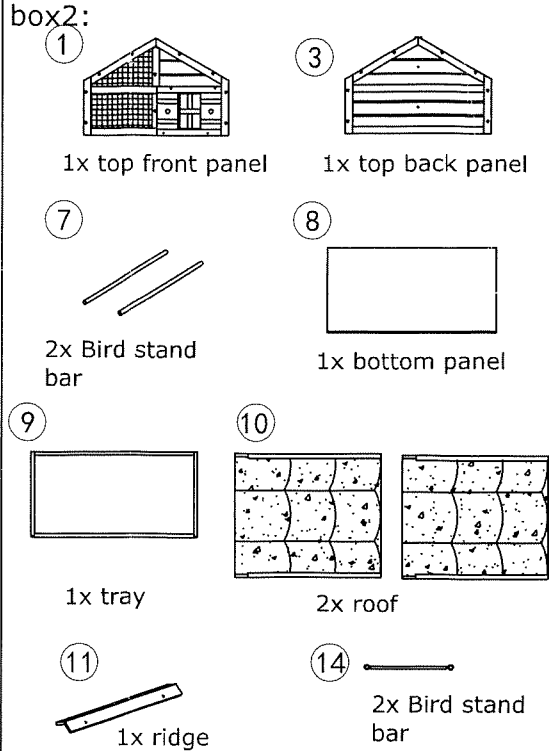
# Voliere Sara Small Assembly Instructions

dsp international b.v.

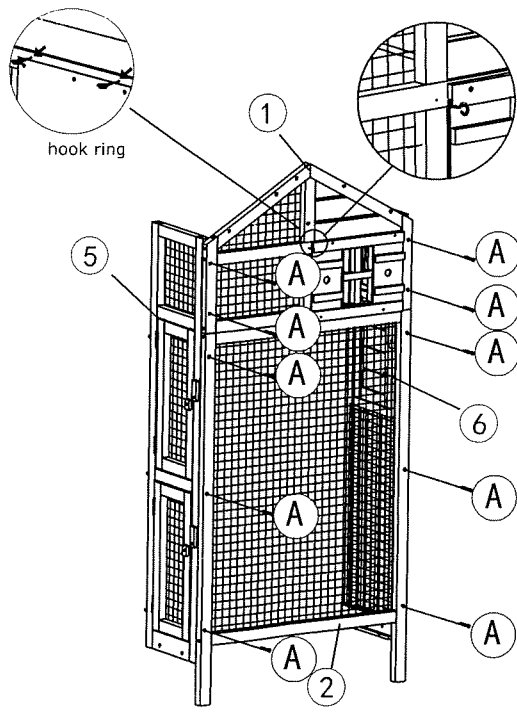
## contents box 1:



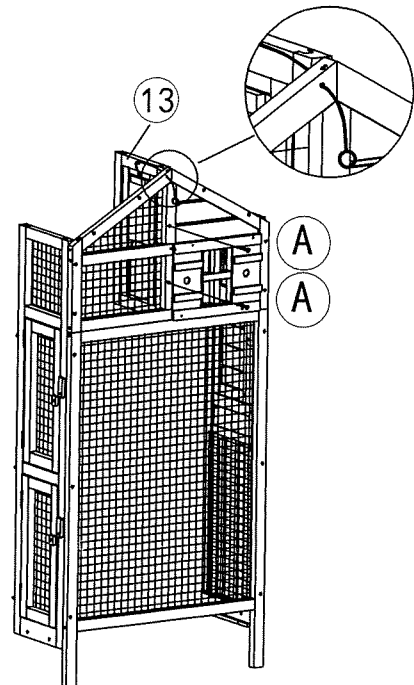
## contents box 2:



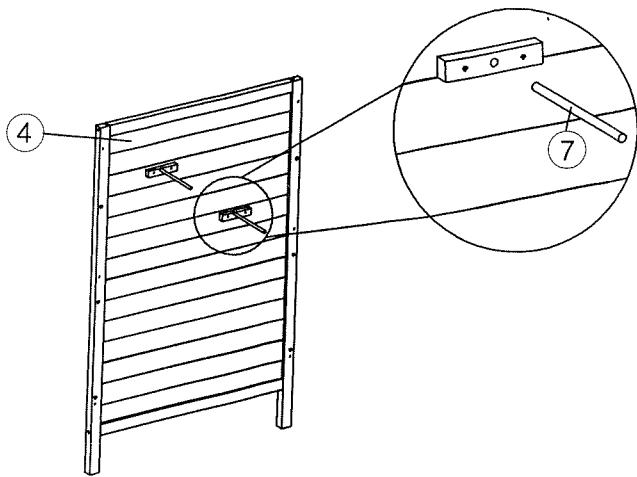
- (A) M3.5X50 28+1
- (B) M3.5X40 8+1
- (C) M3.5X25 4+1
- 1x ring
- 1x hook
- 4x hook ring



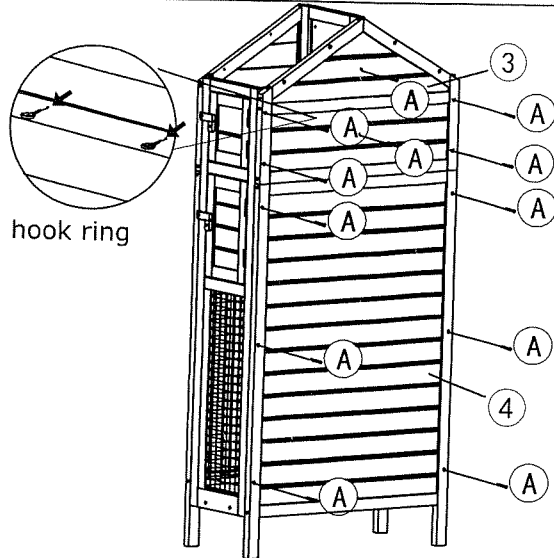
1. Fix the front panel with two side panels with the hook ring and the hook.



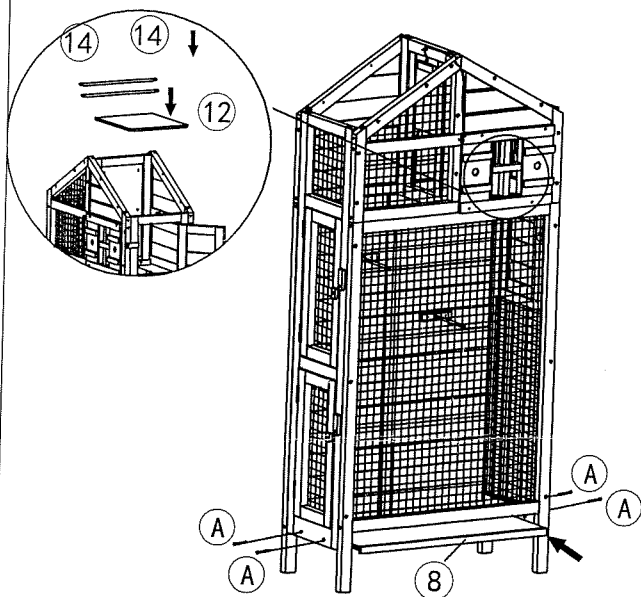
2. Fix the middle side panel and the ring.



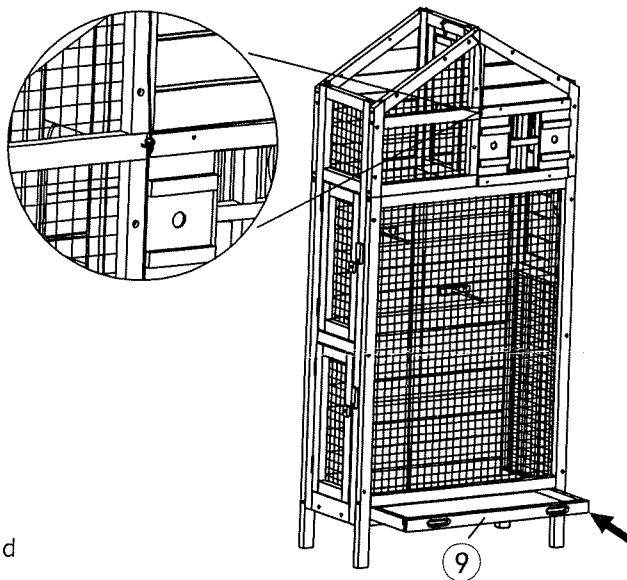
3. Insert two bird stand bars at bottom back panel.



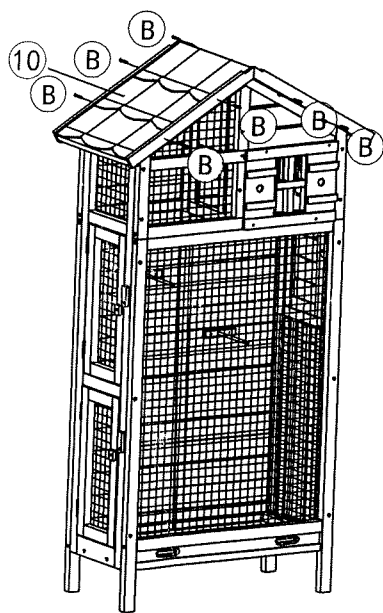
4. Fix the middle side panel and the top back panel and hook ring.



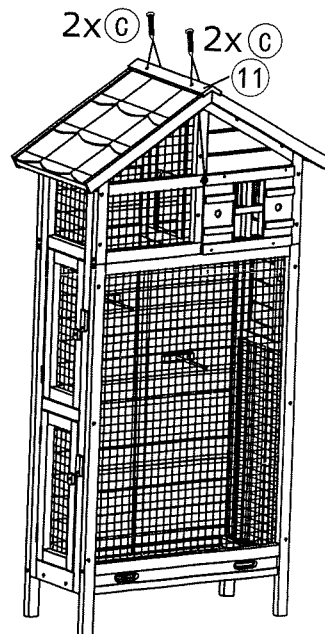
6. Fix the bottom panel from two sides and then insert the shelf and bird stand.



7. Insert the tray.



8. Fix the roofs .



9. Fix the ridge.